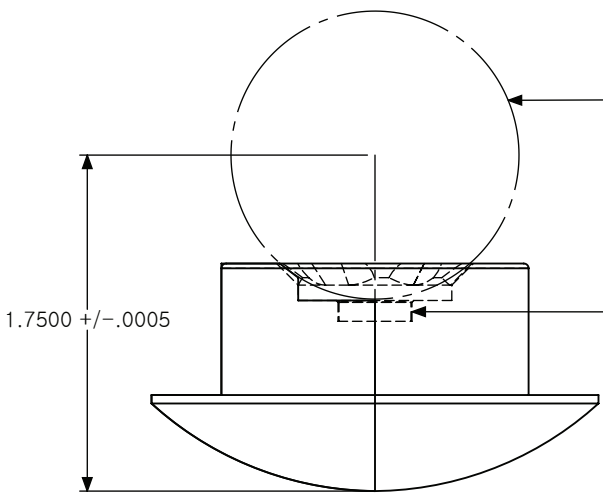


precision (3) point nest on c/l of 1.7500 radius within .0005



1.5000 sperical mounted retro reflector or theodite sphere reference (not included)

on c/l of 1.7500 sperical radius within +/- .0005

magnet

1.7500 +/- .0005