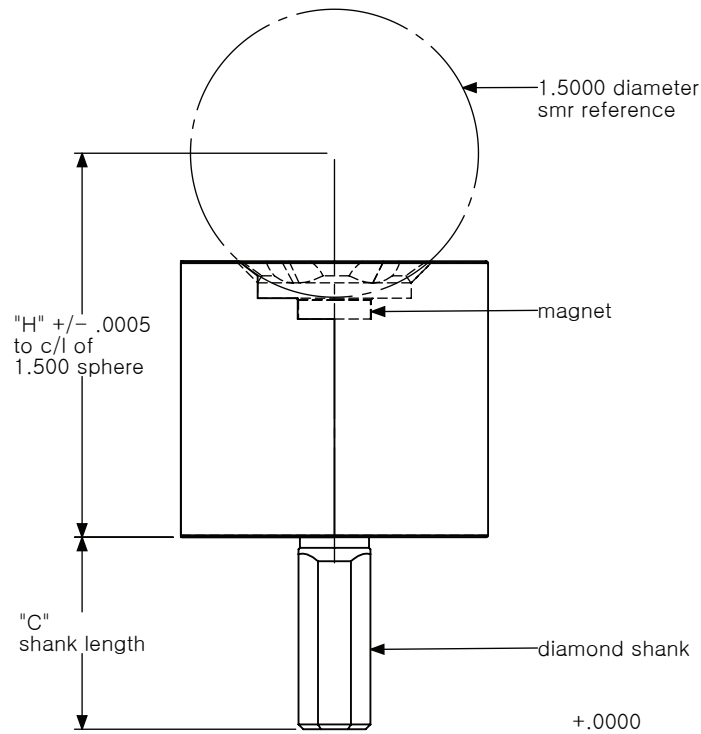


precision (3) point nest on
c/l of "A" dimension & "B"
dimension within +/- .0005



1.5000 diameter
smr reference

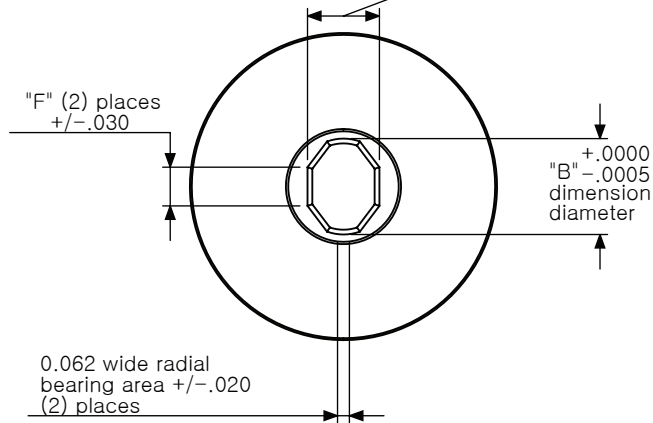
"H" +/- .0005
to c/l of
1.500 sphere

magnet

"C"
shank length

diamond shank

+ .0000
"A" - .0005
dimension
(flats)



"F" (2) places
+/- .030

+ .0000
"B" - .0005
dimension
diameter

0.062 wide radial
bearing area +/- .020
(2) places