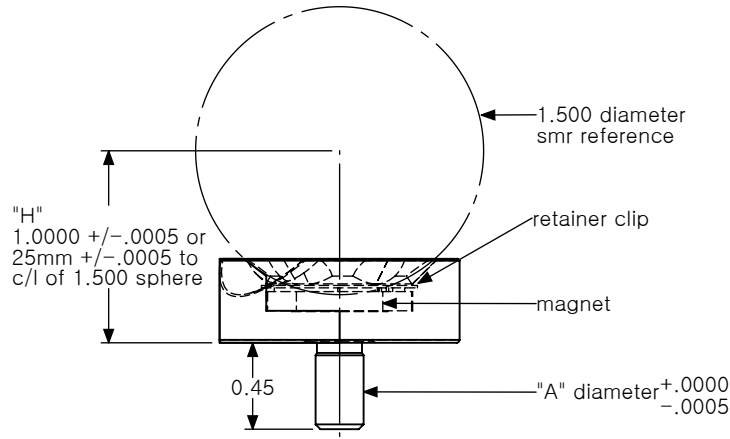


precision (3) point nest on
c/l of "A" diameter within
 $\pm .0005$



1.500 diameter
smr reference

retainer clip

magnet

"H"
1.0000 $\pm .0005$ or
25mm $\pm .0005$ to
c/l of 1.500 sphere

"A" diameter $\begin{matrix} +.0000 \\ -.0005 \end{matrix}$

0.45