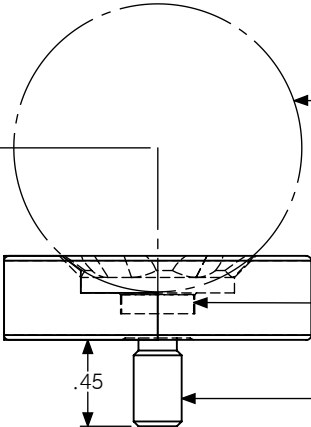


precision (3) point
nest on c/l of thread pitch
diameter within +/- .0005



1,500 diameter
smr reference

"H"
1.0000 +/- .0005 or
25mm +/- .0005 to
c/l of 1,500 sphere

magnet

.45

"T" thread size